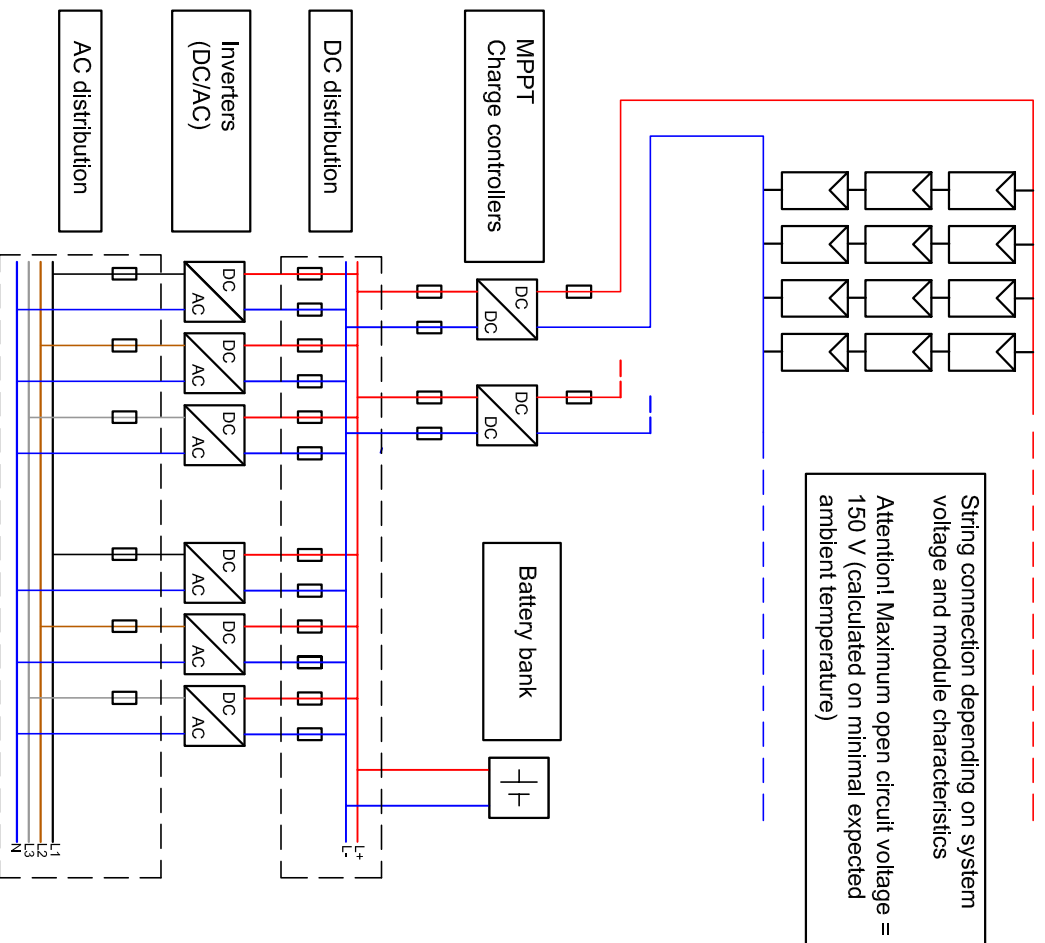
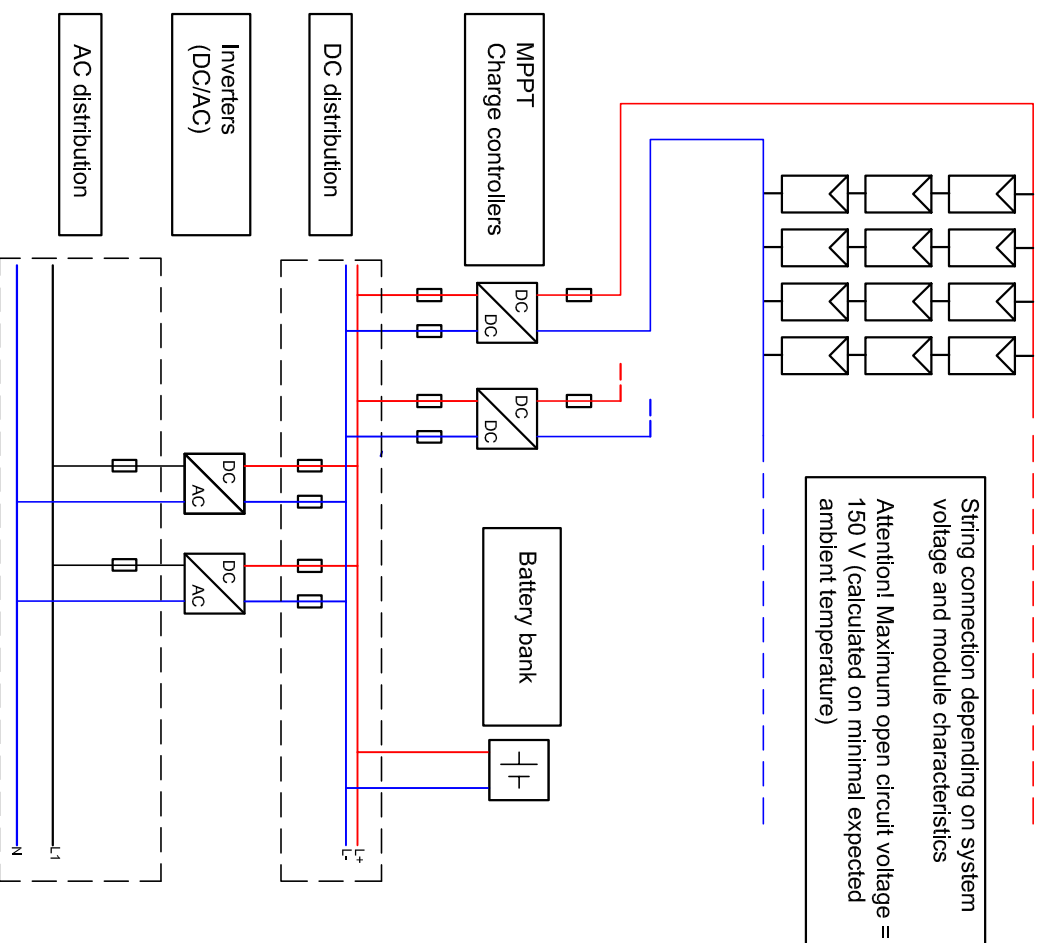


DC coupled off-grid system with  
3-phase AC output



DC coupled off-grid system with  
1-phase AC output



Schematic DC coupled PV off-grid

Z-Nr:  
Name: Peter Hoenen  
Mastst:  
Datum: 16.11.2012



**Wagner & Co**  
SOLLARTECHNIK

Zimmermannstr.12  
35091 CNRhe  
Tel.: 06421/8007-0  
Fax: 06421/8007-22  
info@wagene-sollartechnik.de