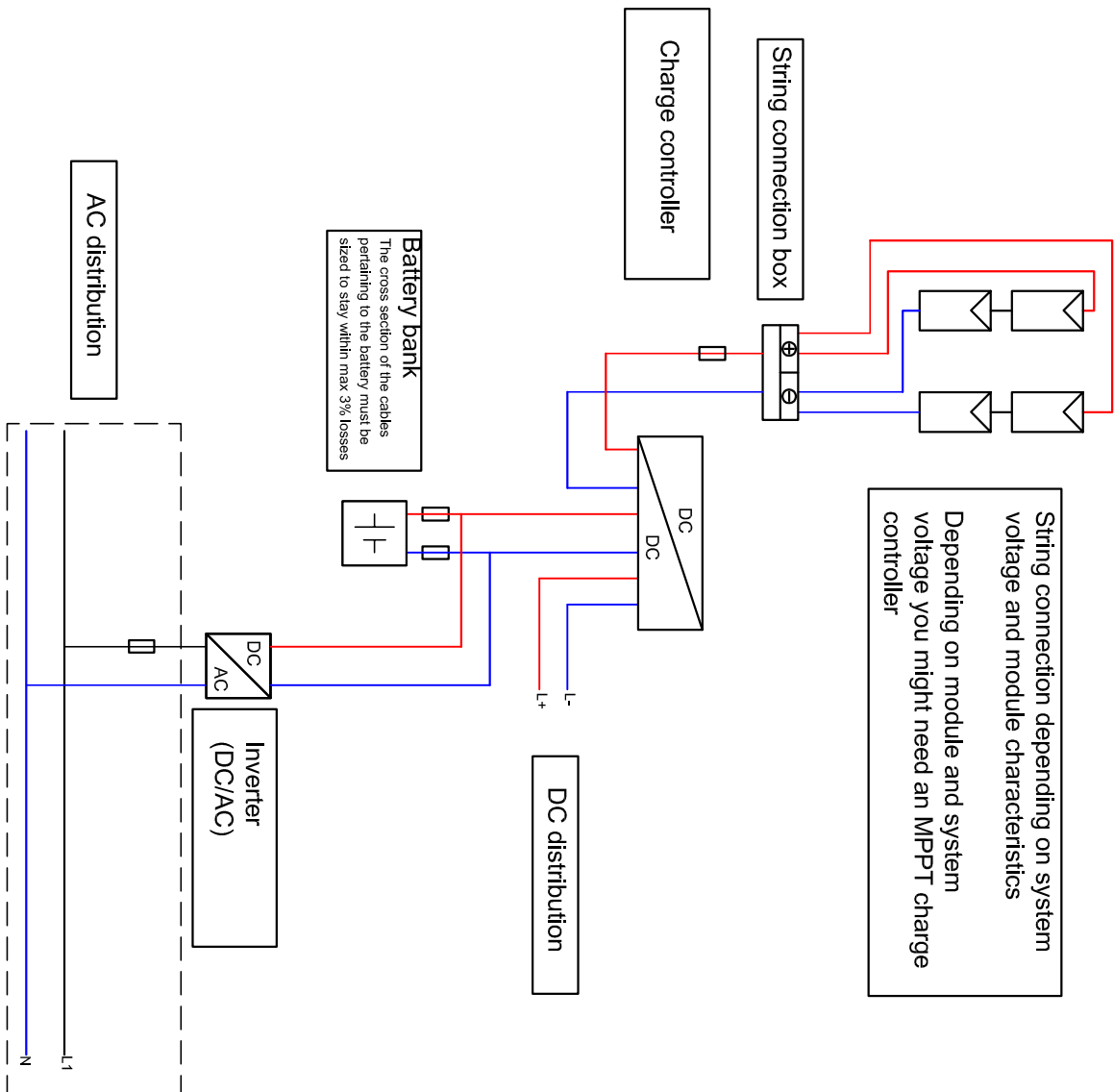


# Small DC coupled off-grid system with optional 1-phase AC output

String connection depending on system voltage and module characteristics  
Depending on module and system voltage you might need an MPPT charge controller



**Battery bank**  
The cross section of the cables pertaining to the battery must be sized to stay within max 3% losses

AC distribution

DC distribution

Schematic small DC off-grid

Z-Nr:  
Name: Peter Hoenen  
Mastst:  
Datum: 16.11.2012



**Wagner & Co**  
SOLARTECHNIK  
Zimmermannstr.12  
35091 CNP  
Tel.: 06421/8007-0  
Fax: 06421/8007-22  
info@wagner-solartechnik.de