

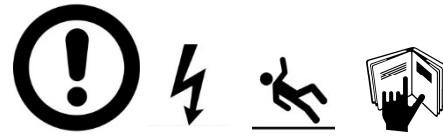
AMBIU Q

/ AMBINANO Q

Quick installation guide



Please observe local loads and load reserves!

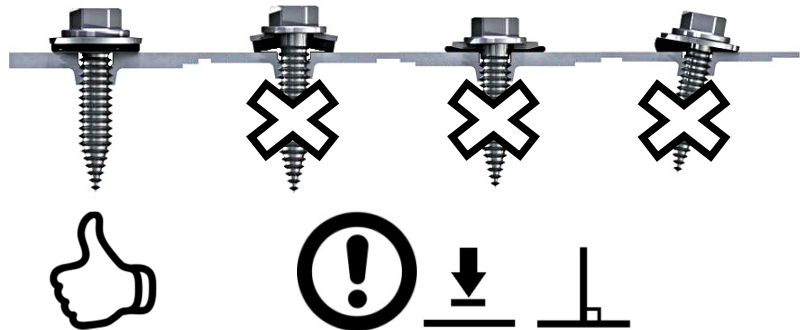


Please observe health and safety regulations!

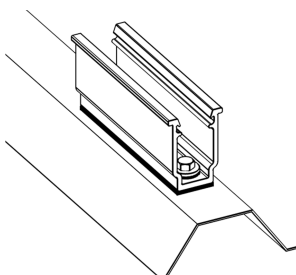
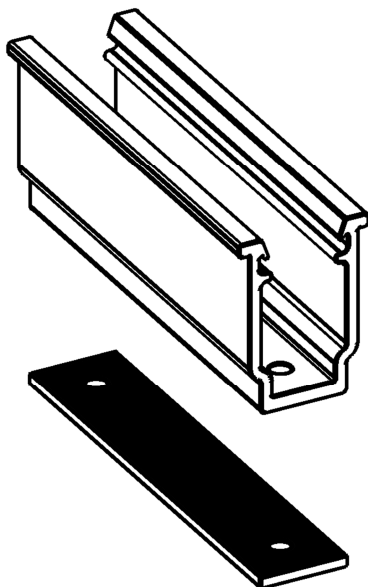
Also read the general installation notes and notes about metal sheet roofs in our download section at www.ambivolt.com. Please contact us in case of doubts or additional questions.

AMBINANO 

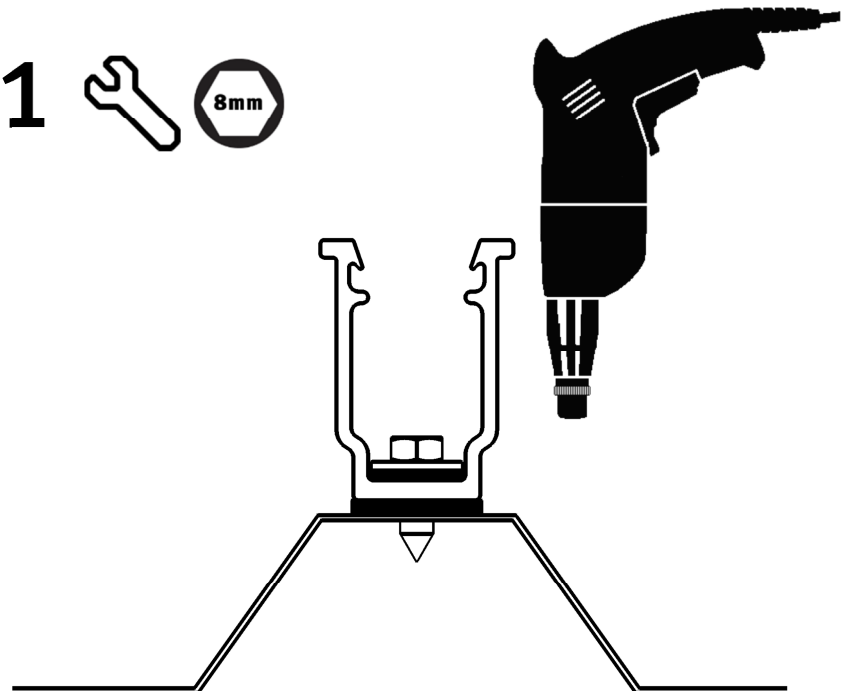
AMBIU 



Screw in at a high speed until the drill bit is through the sheeting and then gently tighten at a low speed, using great care or a depth stop. Observe perpendicularity!



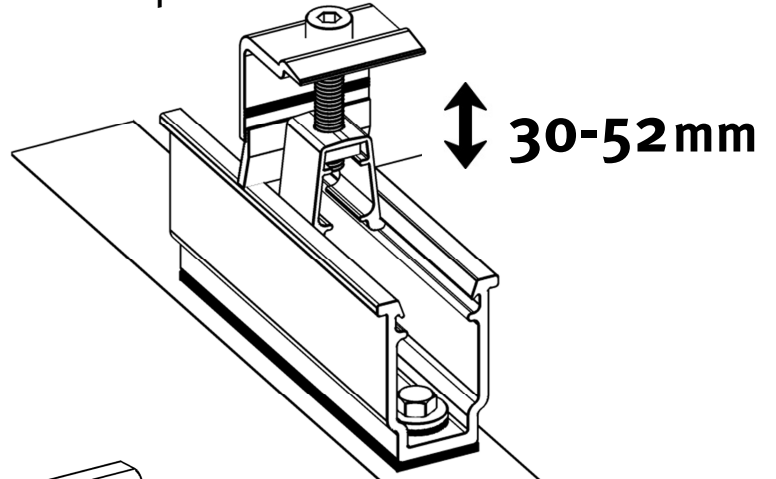
1  



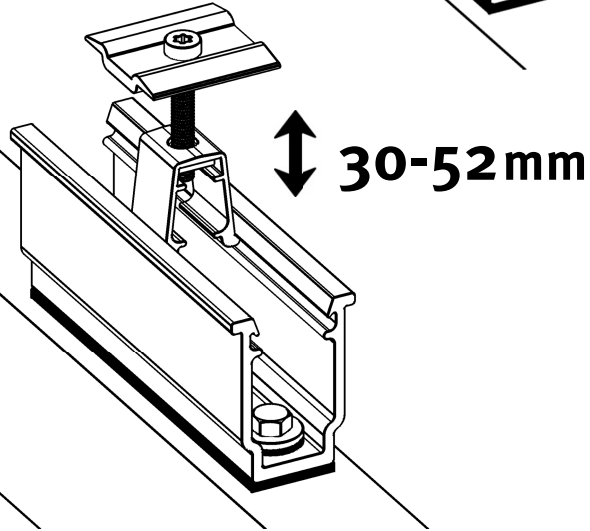
2



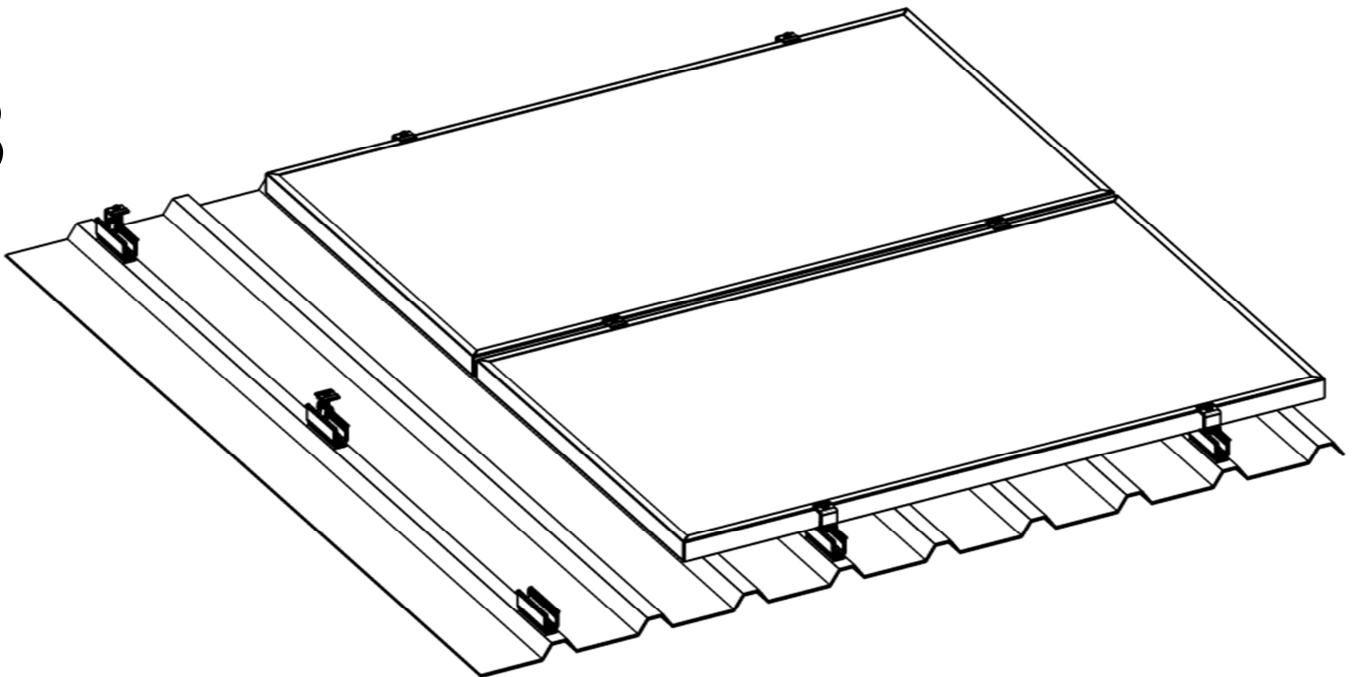
end clamp



middle clamp



3



Follow the installation instructions provided by your module producer.