

## Freigegebene Batterien für PLENTICORE Released batteries for PLENTICORE

Version: 10/2025

| Batterie <sup>8,10)</sup> /<br>Battery <sup>8,10)</sup> |          | Ab Wechselrichter SW <sup>9)</sup> /<br>from inverter SW <sup>9)</sup> | Modul Typ /<br>Module type                     | Parallelbetrieb<br>von Batterien /<br>Parallel operation<br>of batteries | Wechselrichter /<br>Inverter  | Benötigter Energiezähler<br>(siehe Dokument freigegebene<br>Energiezähler)<br>Required energy meter<br>(see document released energy<br>meters) |
|---|----------|--|--|--|---|---|
| AXITEC <sup>3)</sup><br>AXIstorage Li SH                | 3 Module | ✓  | Li-Ion NMC                                     | ---  | PLENTICORE plus<br>PLENTICORE plus G2<br>PLENTICORE BI 5.5/13   | KOSTAL Smart Energy Meter<br>KOSTAL Energy Meter <sup>4)</sup>  |
|   | 4 Module |  |  |  | PLENTICORE plus<br>PLENTICORE plus G2<br>PLENTICORE BI 5.5/13<br>PLENTICORE BI xx/26<br>PLENTICORE BI xx/26 G2              |   |
|   | 5 Module |  |  |  |   |   |
|   | 6 Module |  |  |  |   |   |
| AXITEC <sup>7)</sup><br>AXIstorage Li SV                | SV1 10,1 | ✓  | Li-Ion LFP<br>3,552 kWh, 48 V, 74 Ah,<br>36 kg | ---  | PLENTICORE plus<br>PLENTICORE plus G2<br>PLENTICORE BI xx/26<br>PLENTICORE BI xx/26 G2<br>PLENTICORE G3<br>PLENTICORE MP G3 | KOSTAL Smart Energy Meter<br>KOSTAL Energy Meter <sup>4)</sup><br>KOSTAL Energy Meter MP-P <sup>9)</sup>  |
|   | SV1 13,5 |  |  |  |   |   |
|   | SV1 16,9 |  |  |  |   |   |
|   | SV1 20,2 |  |  |  |   |   |
|   | SV1 23,6 | ✓  | Li-Ion LFP<br>3,552 kWh, 96 V, 37 Ah,<br>35 kg | ---  |   |   |
|   | SV2 6,7  |  |  |  |   |   |
|   | SV2 10,1 |  |  |  |   |   |
|   | SV2 13,5 |  |  |  |   |   |
| SV2 16,9  |          |  |  |  |   |   |
| BMZ <sup>3)</sup><br>Hyperion                           | 3 Module | ✓  | Li-Ion NMC                                     | ---  | PLENTICORE plus<br>PLENTICORE plus G2<br>PLENTICORE BI 5.5/13   | KOSTAL Smart Energy Meter<br>KOSTAL Energy Meter <sup>4)</sup>  |
|   | 4 Module |  |  |  | PLENTICORE plus<br>PLENTICORE plus G2<br>PLENTICORE BI 5.5/13<br>PLENTICORE BI xx/26<br>PLENTICORE BI xx/26 G2              |   |
|   | 5 Module |  |  |  |   |   |
|   | 6 Module |  |  |  |   |   |

| Batterie <sup>8,10)</sup> /<br>Battery <sup>8,10)</sup>                |                    | Ab Wechselrichter SW <sup>8)</sup> /<br>from inverter SW <sup>8)</sup> | Modul Typ /<br>Module type  | Parallelbetrieb<br>von Batterien /<br>Parallel operation<br>of batteries  | Wechselrichter /<br>Inverter   | Benötigter Energiezähler<br>(siehe Dokument freigegebene<br>Energiezähler)<br>Required energy meter<br>(see document released energy<br>meters) |
|--|--------------------|--|---|---|--|---|
| BYD<br>Battery-Box HV  | 6.4                | ✓  | HV (High Voltage )<br>1,28 kWh, 51,2 V, 25 Ah,<br>25 kg, LiF <sub>6</sub> PO <sub>4</sub>           | ---   | PLENTICORE plus<br>PLENTICORE plus G2<br>PLENTICORE BI 5.5/13<br>PLENTICORE G3<br>PLENTICORE MP G3   | KOSTAL Smart Energy Meter<br>KOSTAL Energy Meter <sup>4)</sup><br>KOSTAL Energy Meter MP-P <sup>9)</sup>  |
|  | 7.7                |  |   |   |  |   |
|  | 9.0                |  |   |   |  |   |
|  | 10.2               |  |   |   |  |   |
|  | 11.5               |  |   |   |  |   |
| BYD <sup>2)</sup><br>Battery-Box Premium HVS/HVM / + with new BCU-V2.0 | 5.1                | ✓  | HVS<br>(High Voltage Small)<br>2,56 kWh, 102,4 V, 25 Ah,<br>38 kg, LiF <sub>6</sub> PO <sub>4</sub> | Mit BYD Battery-<br>Box Premium HV<br>Combiner Box<br>CBH-40A /<br>With BYD Battery-<br>Box Premium HV<br>Combiner Box<br>CBH-40A               | PLENTICORE plus<br>PLENTICORE plus G2<br>PLENTICORE BI 5.5/13<br>PLENTICORE BI xx/26<br>PLENTICORE BI xx/26 G2<br>PLENTICORE G3<br>PLENTICORE MP G3  | KOSTAL Smart Energy Meter<br>KOSTAL Energy Meter <sup>4)</sup><br>KOSTAL Energy Meter MP <sup>9)</sup>  |
|  | 7.7                |  |   |   |  |   |
|  | 10.2               |  |   |   |  |   |
|  | 12.8               |  |   |   |  |   |
|  | 8.3                |  |   |   |  |   |
|  | 11.0 <sup>1)</sup> | ✓  | HVM<br>(High Voltage Medium)<br>2,76 kWh, 51,2 V, 53 Ah,<br>38 kg, LiF <sub>6</sub> PO <sub>4</sub> |   | PLENTICORE G3<br>PLENTICORE MP G3<br>PLENTICORE plus<br>PLENTICORE plus G2<br>PLENTICORE G3<br>PLENTICORE MP G3<br>PLENTICORE plus 4.2-10<br>PLENTICORE plus 4.2-10 G2<br>PLENTICORE BI 5.5/13<br>PLENTICORE BI xx/26<br>PLENTICORE BI xx/26 G2<br>PLENTICORE G3<br>PLENTICORE MP G3 |   |
|  | 13.8 <sup>1)</sup> |  |   |   |  |   |
|  | 16.6               |  |   |   |  |   |
|  | 19.3               |  |   |   |  |   |
|  | 22.1               |  |   |   |  |   |
| BYD<br>Battery-Box HVM+  | 8.3                | ✓  | HVM+<br>2,76 kWh, 51,2 V,<br>41,4 kg<br>Lithium Iron Phosphate<br>(LiFePO <sub>4</sub> )            | Mit BYD Battery-Box<br>Combiner Box Plus<br>CBH-40A<br>Max. 3 Türme /<br>With BYD Battery-<br>Box Combiner Box<br>Plus CBH-40A<br>Max. 3 Towers | PLENTICORE plus G2<br>PLENTICORE BI xx/26 G2<br>PLENTICORE G3<br>PLENTICORE MP G3  | KOSTAL Smart Energy Meter<br>KOSTAL Energy Meter <sup>4)</sup><br>KOSTAL Energy Meter MP <sup>9)</sup>  |
|  | 11                 |  |   |   |  |   |
|  | 13.8               |  |   |   |  |   |
|  | 16.6               |  |   |   |  |   |
|  | 19.3               |  |   |   |  |   |
| BYD Battery-Box<br>HVS+  | 5.1                | ✓  | HVS+<br>2,56 kWh, 102,4 V,<br>38,5 kg<br>Lithium Iron Phosphate<br>(LiFePO <sub>4</sub> )           | Mit BYD Battery-Box<br>Combiner Box Plus<br>CBH-40A<br>Max. 3 Türme /<br>With BYD Battery-<br>Box Combiner Box<br>Plus CBH-40A<br>Max. 3 Towers | PLENTICORE plus G2<br>PLENTICORE BI xx/26 G2<br>PLENTICORE G3<br>PLENTICORE MP G3  | KOSTAL Smart Energy Meter<br>KOSTAL Energy Meter <sup>4)</sup><br>KOSTAL Energy Meter MP <sup>9)</sup>  |
|  | 7.7                |  |   |   |  |   |
|  | 10.2               |  |   |   |  |   |
|  | 12.8               |  |   |   |  |   |
| BYD<br>Battery-Box HVB   | 8.9                | ✓  | HVB<br>2,97 kWh, 51.2 V,<br>29 kg   | Mit BYD Battery-Box<br>Combiner Box Plus<br>CBH-40A<br>Max. 3 Türme /<br>With BYD Battery-<br>Box Combiner Box<br>Plus CBH-40A<br>Max. 3 Towers | PLENTICORE plus G2<br>PLENTICORE BI xx/26 G2<br>PLENTICORE G3<br>PLENTICORE MP G3  | KOSTAL Smart Energy Meter<br>KOSTAL Energy Meter <sup>4)</sup><br>KOSTAL Energy Meter MP <sup>9)</sup>  |
|  | 11.9               |  |   |   |  |   |
|  | 14.9               |  |   |   |  |   |
|  | 17.8               |  |   |   |  |   |
|  | 20.8               |  |   |   |  |   |
|  | 23.8               |  |   |   |  |   |
|  | 26.7               |  |   |   |  |   |
| 29.7   |                    |  |   |   |  |   |

| Batterie <sup>8,10)</sup> /<br>Battery <sup>8,10)</sup> |                      | Ab Wechselrichter SW <sup>8)</sup> /<br>from inverter SW <sup>8)</sup> | Modul Typ /<br>Module type                       | Parallelbetrieb<br>von Batterien /<br>Parallel operation<br>of batteries | Wechselrichter /<br>Inverter  | Benötigter Energiezähler<br>(siehe Dokument freigegebene<br>Energiezähler)<br>Required energy meter<br>(see document released energy<br>meters) |                          |  |  |                                   |  |
|---|----------------------|--|--|--|---|---|--------------------------|--|--|-----------------------------------|--|
| Dyness<br>Tower <sup>8)</sup>                           | T7                   | ✓  | Li-Ion LFP<br>3,552 kWh, 96 V, 37 Ah,<br>41 kg   | ---  | PLENTICORE plus<br>PLENTICORE plus G2<br>PLENTICORE BI xx/26<br>PLENTICORE BI xx/26 G2<br>PLENTICORE G3<br>PLENTICORE MP G3 | KOSTAL Smart Energy Meter<br>KOSTAL Energy Meter <sup>4)</sup><br>KOSTAL Energy Meter MP-P <sup>9)</sup>  |                          |  |  |                                   |  |
|   | T10                  |  |  |  |   |   |                          |  |  |                                   |  |
|   | T14                  |  |  |  |   |   |                          |  |  |                                   |  |
|   | T17                  |  |  |  |   |   |                          |  |  |                                   |  |
|   | T21                  |  |  |  |   |   |                          |  |  |                                   |  |
| Dyness<br>Tower Pro                                     | TP7                  | ✓  | Li-Ion LFP<br>3,552 kWh, 96 V, 37 Ah,<br>41 kg   | ---  | PLENTICORE plus<br>PLENTICORE plus G2<br>PLENTICORE BI xx/26<br>PLENTICORE BI xx/26 G2<br>PLENTICORE G3<br>PLENTICORE MP G3 | KOSTAL Smart Energy Meter<br>KOSTAL Energy Meter <sup>4)</sup><br>KOSTAL Energy Meter MP-P <sup>9)</sup>  |                          |  |  |                                   |  |
|   | TP11                 |  |  |  |   |   |                          |  |  |                                   |  |
|   | TP15                 |  |  |  |   |   |                          |  |  |                                   |  |
|   | TP19                 |  |  |  |   |   |                          |  |  |                                   |  |
|   | TP23                 |  |  |  |   |   |                          |  |  |                                   |  |
| Dyness<br>Stack100                                      | 3s                   | ✓  | Li-Ion LFP<br>5,12 kWh, 51,2 V, 100 Ah,<br>47 kg | ---  | PLENTICORE plus G2<br>PLENTICORE BI xx/26 G2<br>PLENTICORE G3<br>PLENTICORE MP G3   | KOSTAL Smart Energy Meter<br>KOSTAL Energy Meter <sup>4)</sup><br>KOSTAL Energy Meter MP-P <sup>9)</sup>  |                          |  |  |                                   |  |
|   | 4s                   |  |  |  |   |   |                          |  |  |                                   |  |
|   | 5s                   |  |  |  |   |   |                          |  |  |                                   |  |
|   | 6s                   |  |  |  |   |   |                          |  |  |                                   |  |
|   | 7s                   |  |  |  |   |   |                          |  |  |                                   |  |
|   | 8s                   |  |  |  |   |   |                          |  |  |                                   |  |
|   | 9s                   |  |  |  |   |   |                          |  |  |                                   |  |
|   | 10s                  |  |  |  |   |   |                          |  |  |                                   |  |
|   | 11s                  |  |  |  |   |   |                          |  |  |                                   |  |
|   | 12s                  |  |  |  |   |   |                          |  |  |                                   |  |
|   | 13s                  |  |  |  | PLENTICORE G3<br>PLENTICORE MP G3   |   |                          |  |  |                                   |  |
|   | 14s                  |  |  |  |   |   |                          |  |  |                                   |  |
|   | KOSTAL<br>HELIVOR HV |  |  |  | 6,4   |   | ab/from: G3 > SW 3.06.03 | Li-Ion LFP<br>3,2 kWh, 64 V,<br>50 Ah, 36,4 kg | Mit ZYC<br>Combiner Box<br>SCB3-50 (3 Türme)<br>SCB8-50 (8 Türme)<br>/<br>With ZYC<br>Combiner Box<br>SCB3-50 (3 towers)<br>SCB8-50 (8 towers) | PLENTICORE G3<br>PLENTICORE MP G3 | KOSTAL Smart Energy Meter<br>KOSTAL Energy Meter <sup>4)</sup><br>KOSTAL Energy Meter MP-P <sup>9)</sup> |
|   |                      |  |  |  | 9,6   |   |                          |  |  |                                   |  |
| 12,8  |                      |  |  |  |   |   |                          |  |  |                                   |  |
| 16  |                      |  |  |  |   |   |                          |  |  |                                   |  |
| 19,2  |                      |  |  |  |   |   |                          |  |  |                                   |  |
| 22,4  |                      |  |  |  |   |   |                          |  |  |                                   |  |
| 25,6  |                      |  |  |  |   |   |                          |  |  |                                   |  |
| 28,8  |                      |  |  |  |   |   |                          |  |  |                                   |  |
| LG<br>RESU FLEX   | FLEX 8.6             | ✓  | Li-Ion NMC                                       | ---  | PLENTICORE plus<br>PLENTICORE plus G2<br>PLENTICORE BI xx/26<br>PLENTICORE BI xx/26 G2<br>PLENTICORE G3<br>PLENTICORE MP G3 | KOSTAL Smart Energy Meter<br>KOSTAL Energy Meter <sup>4)</sup><br>KOSTAL Energy Meter MP-P <sup>9)</sup>  |                          |  |  |                                   |  |
|   | FLEX 12.9            |  |  |  |   |   |                          |  |  |                                   |  |
|   | FLEX 17.2            |  |  |  |   |   |                          |  |  |                                   |  |

| Batterie <sup>8,10</sup> /<br>Battery <sup>8,10</sup> |          | Ab Wechselrichter SW <sup>8</sup> /<br>from inverter SW <sup>8</sup> | Modul Typ /<br>Module type                       | Parallelbetrieb<br>von Batterien /<br>Parallel operation<br>of batteries   | Wechselrichter /<br>Inverter  | Benötigter Energiezähler<br>(siehe Dokument freigegebene<br>Energiezähler)<br>Required energy meter<br>(see document released energy<br>meters) |
|---|----------|--|--|--|---|---|
| PYLONTECH®<br>Force                                   | H1 10,65 | ✓  | Li-Ion LFP<br>3,552 kWh, 48 V, 74 Ah,<br>36 kg   | ---  |   | KOSTAL Smart Energy Meter<br>KOSTAL Energy Meter <sup>4)</sup><br>KOSTAL Energy Meter MP-P <sup>9)</sup>  |
|   | H1 14,20 |  |  |  |   |   |
|   | H1 17,76 |  |  |  |   |   |
|   | H1 21,31 |  |  |  |   |   |
|   | H1 24,86 |  |  |  |   |   |
|   | H2 7,10  | ✓  | Li-Ion LFP<br>3,552 kWh, 96 V, 37 Ah,<br>35 kg   | ---  | PLENTICORE plus<br>PLENTICORE plus G2<br>PLENTICORE BI xx/26<br>PLENTICORE BI xx/26 G2<br>PLENTICORE G3<br>PLENTICORE MP G3 |   |
|   | H2 10,65 |  |  |  |   |   |
|   | H2 14,21 |  |  |  |   |   |
|   | H2 17,75 |  |  |  |   |   |
|   | H3 10,24 |  |  |  |   |   |
|   | H3 15,36 | ✓  | Li-Ion LFP<br>5,12 kWh, 102,4 V, 50 Ah,<br>39 kg | ---  | PLENTICORE G3<br>PLENTICORE MP G3   |   |
|   | H3 20,48 |  |  |  |   |   |
|   | H3 25,6  |  |  |  |   |   |
|   | H3 30,72 |  |  |  |   |   |
| H3 35,84  |          |  |  |  |   |   |
| VARTA.wall  | 10       | ✓  | Li-Ion NCA<br>5,00 kWh, 100,8 V,<br>65 Ah, 37 kg | ---  | PLENTICORE plus G2<br>PLENTICORE BI xx/26 G2<br>PLENTICORE G3<br>PLENTICORE MP G3   |   |
|   | 15       |  |  |  |   |   |
|   | 20       |  |  |  |   |   |
| ZYC<br>SIMPO HV                                       | 6,4      | ✓  | Li-Ion LFP<br>3,2 kWh, 64 V,<br>50 Ah, 36 kg     | Mit ZYC<br>Combiner Box<br>SCB3-50 (3 Türme)<br>SCB8-50 (8 Türme)<br>/<br>With ZYC<br>Combiner Box<br>SCB3-50 (3 towers)<br>SCB8-50 (8 towers) | PLENTICORE G3<br>PLENTICORE MP G3   |   |
|   | 9,6      |  |  |  |   |   |
|   | 12,8     |  |  |  |   |   |
|   | 16       |  |  |  |   |   |
|   | 19,2     |  |  |  |   |   |
|   | 22,4     |  |  |  |   |   |
|   | 25,6     |  |  |  |   |   |
|   | 28,8     |  |  |  |   |   |
|   |          |  |  |  | PLENTICORE plus G2<br>PLENTICORE BI xx/26 G2<br>PLENTICORE G3<br>PLENTICORE MP G3   |   |
|   |          |  |  |  | PLENTICORE G3<br>PLENTICORE MP G3   |   |

### Auswahl Batterietyp:

- Die verwendete Batterie kann im Wechselrichter oder über den Webserver unter dem Menüpunkt Servicemenü > Batteriekonfiguration > Batterietyp ausgewählt werden.

### Select battery type:

- The used battery can be set under the inverter menu or via the web server menu under the item Service menu > Battery Configuration > Battery type.

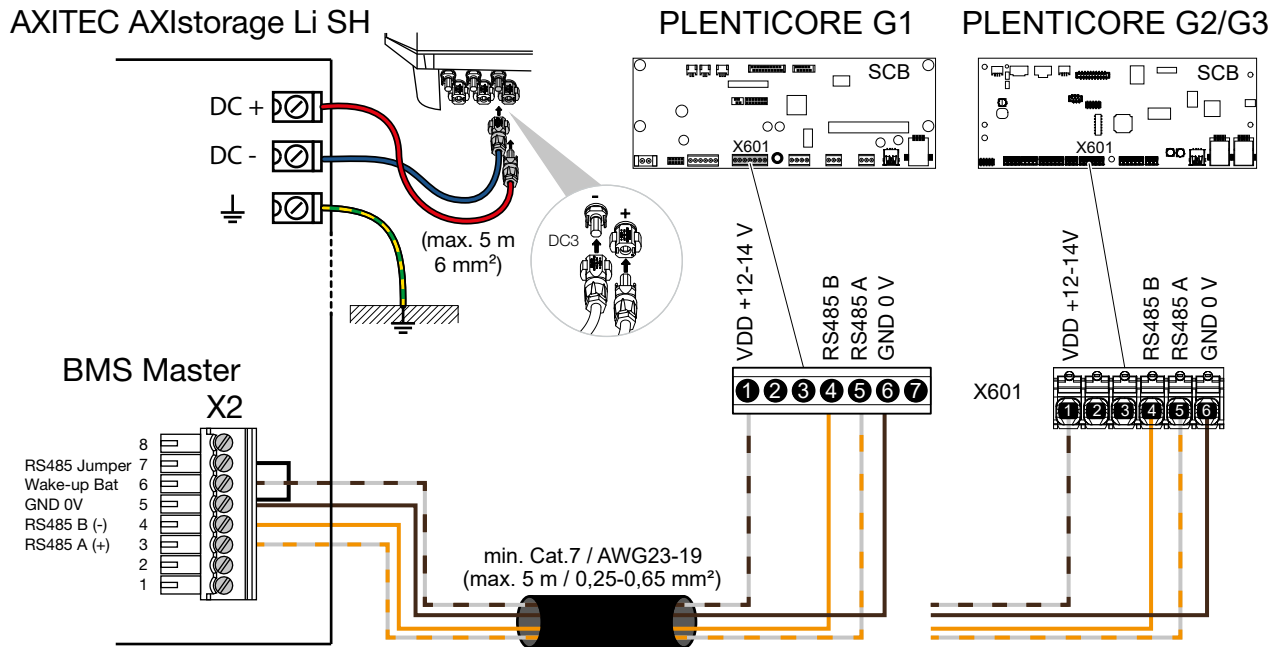


**Hinweis:** Für den DC-Anschluss der Batterie verwenden Sie flexible und verzinnnte Leitungen mit doppelter Isolierung nach EN50618. Wir empfehlen einen Querschnitt von 6 mm<sup>2</sup>. Beachten Sie die Angaben des Stecker-Herstellers und die technischen Daten des Wechselrichters.

**Note:** For the DC connection of the battery, use flexible and tinned cables with double insulation according to EN50618. We recommend a cross-section of 6 mm<sup>2</sup>. Note the information provided by the connector manufacturer and the technical data of the inverter.

- <sup>1)</sup> Eine Verwendung der BYD Battery-Box Premium HVM 11.0 oder 13.8 ist technisch möglich. Aufgrund der relativ niedrigen Batteriespannung dieser Varianten ist auf eine Einschränkung der Lade- und Endladeleistung (UBat x 13 A max. Eingangsstrom des WR) und der Systemeffizienz hinzuweisen (gilt nur für PLENTICORE plus und PLENTICORE BI 5.5/13). / Using the BYD Battery-Box Premium HVM 11.0 or 13.8 is technically possible. Due to the relatively low battery voltage of these variants, a restriction of the charging and final charging power (UBat x 13 A max. Input current of the WR) and the system efficiency must be pointed out (only applies to PLENTICORE plus and PLENTICORE BI 5.5/13).
- <sup>2)</sup> BYD Batterie kompatibel ab - FW BMU1.13 und BMS3.19  
BYD Battery compatible from - FW BMU1.13 and BMS3.19
- <sup>3)</sup> BMZ/AXITEC Batterie kompatibel mit Gehäuse: 609678, 609812 oder 610853 und Module: 607182 oder 612033  
BMZ/AXITEC Battery compatible with Device: 609678, 609812 or 610853 and modules: 607182 or 612033
- <sup>4)</sup> Nur ein Wechselrichter mit einer Batterie im System  
Only with one inverter and one battery in the system
- <sup>5)</sup> Die Batterietypen sind im Wechselrichter ab SW-Version auswählbar  
The battery types can be selected in the inverter from SW version)
- <sup>6)</sup> Pylontech Force-H1-V2 Batterie kompatibel mit BMS Modul: FC0500-40S-V2 mit Artikelnummer 11FC0500ZZA-00013  
Pylontech Force-H2-V2 Batterie kompatibel mit BMS Modul: FC0500M-40S-V2 mit Artikelnummer 11FC0500MZA-00013  
Pylontech Force-H1-V2 battery compatible with BMS modul: FC0500-40S-V2 mit article number 11FC0500ZZA-00013  
Pylontech Force-H2-V2 battery compatible with BMS modul: FC0500M-40S-V2 mit article number 11FC0500MZA-00013
- <sup>7)</sup> Axitec AXIstorage Li SV1 Batterie kompatibel mit BMS Modul: Li SV1 BMS mit Artikelnummer: AY10785  
Axitec AXIstorage Li SV2 Batterie kompatibel mit BMS Modul: Li SV2 BMS mit Artikelnummer: AY10786  
Axitec AXIstorage Li SV1 battery compatible with BMS module: Li SV1 BMS with article number: AY10785  
Axitec AXIstorage Li SV2 battery compatible with BMS module: Li SV2 BMS with article number: AY10786
- <sup>8)</sup> Bitte beachten Sie aufgrund des §14a (steuerbare Verbraucher), dass in Deutschland bestimmte Wechselrichter/Batterie-Kombinationen durch den Energieversorger extern steuerbar sein müssen, damit eine mögliche maximale Batterieladeleistung aus dem Netz nicht 4,2 kWh überschreitet. Weitere Informationen dazu entnehmen Sie der Wechselrichter Betriebsanleitung unter „Externe Batteriesteuerung über Digitaleingänge“.
- <sup>9)</sup> Der KOSTAL Energy Meter MP - Series P (KEM MP-P) kann mit dem PLENTICORE MP G3 verwendet werden in einphasige Netze.  
The KOSTAL Energy Meter MP - Series P (KEM MP-P) can be used with the PLENTICORE MP G3 in single-phase networks.
- <sup>10)</sup> Die Batterien sind für Italien nicht freigegeben, solange es kein Zertifikat dazu gibt. Das Zertifikat dazu finden Sie im Downloadbereich zum Produkt.  
The batteries are not approved for use in Italy unless they have been certified. The certificate can be found in the download area for the product.

## AXITC AXIstorage Li SH - Anschluss / Connection

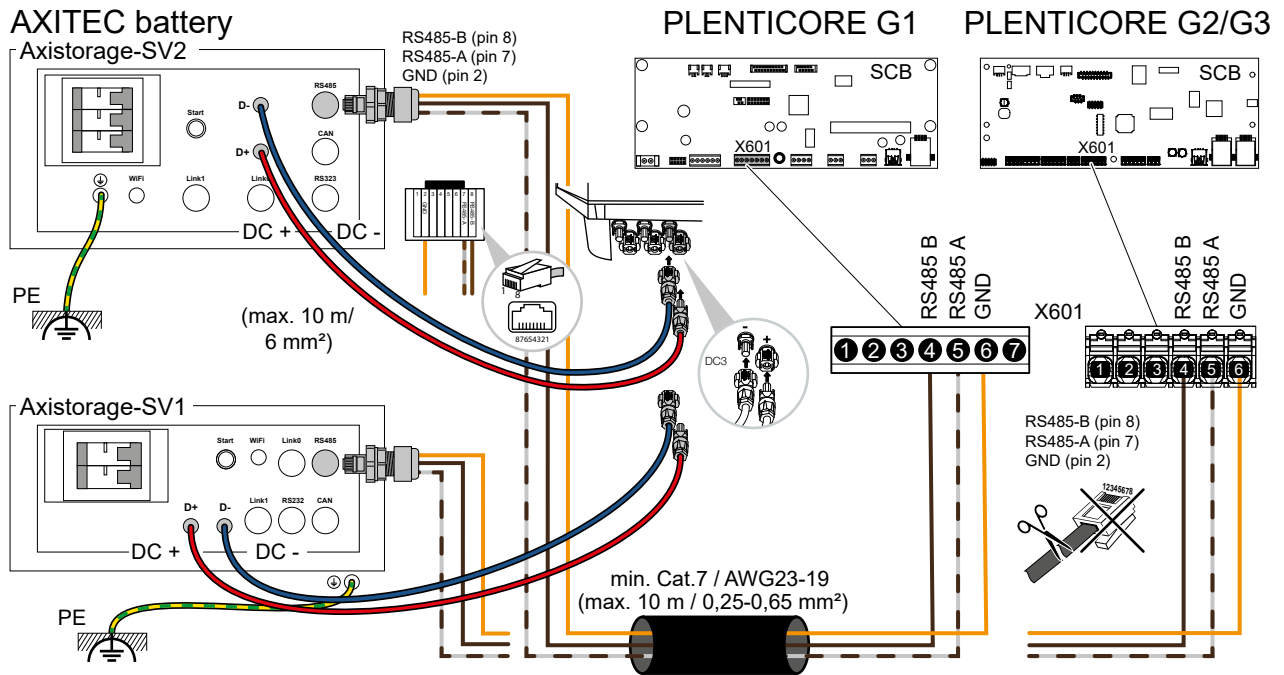


| Batterie / Battery | Wechselrichter / Inverter | Anschluss / Connection | Kabel / Cable   |
|--------------------|---------------------------|------------------------|---|
| 6                  | 1                         | +12 V                  | min. Cat.7<br>Twisted pair<br>max. Ø 7,5 mm<br>max. 5 m |
| 4                  | 4                         | RS485 B                |   |
| 3                  | 5                         | RS485 A                |   |
| 5                  | 6                         | GND                    |   |
| 5 > 7              | -                         | RS485 Jumper           |   |



**DC-Kabel max. 5 m (Batterie > Wechselrichter)**  
**DC-cable max. 5 m (Battery > inverter)**

## AXITEC AXIstorage Li SVx - Anschluss / Connection



| Batterie / Battery    | Wechselrichter / Inverter | Anschluss / Connection | Kabel / Cable   |
|-----------------------|---------------------------|------------------------|---|
| RS485-B (RJ45 plug 8) | 4                         | RS485 B                | min. Cat.7 Twisted pair<br>max. Ø 7,5 mm<br>max. 10 m |
| RS485-A (RJ45 plug 7) | 5                         | RS485 A                |   |
| RS485-B (RJ45 plug 2) | 6                         | GND                    |   |



**DC-Kabel max. 10 m (Batterie > Wechselrichter)**  
**DC-cable max. 10 m (Battery > inverter)**

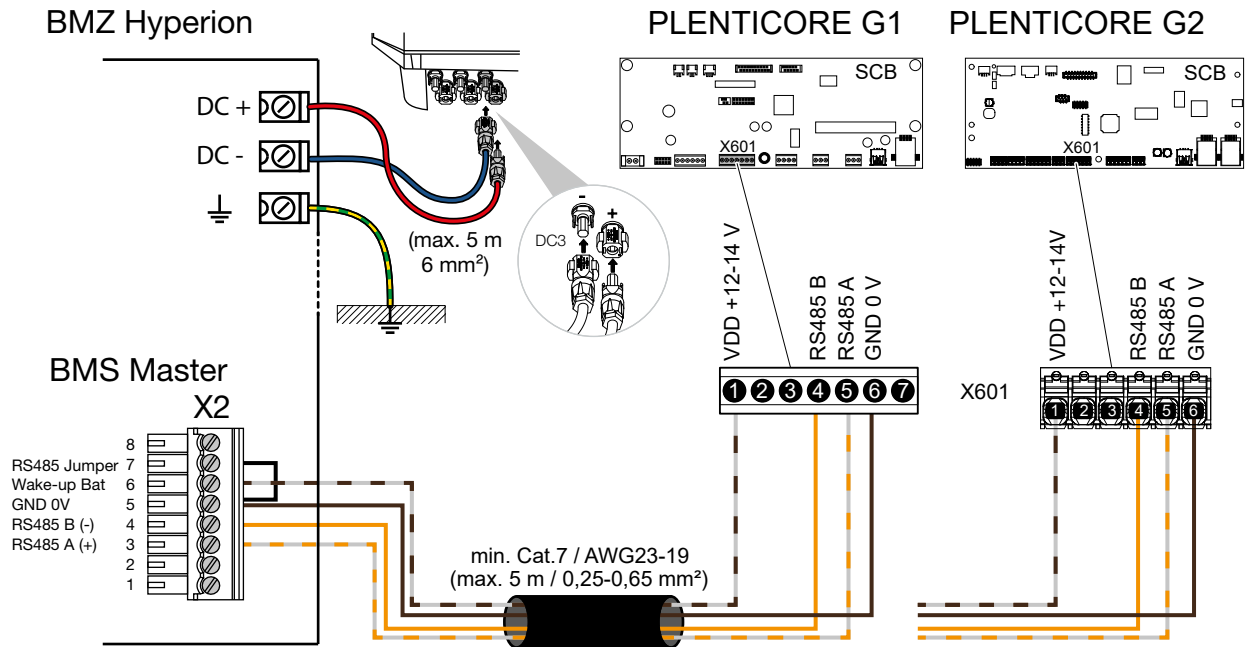
Damit die Kommunikation zwischen dem Batteriesystem und dem Wechselrichter funktioniert, muss das richtige Protokoll in der Batterie ausgewählt werden. Dazu die folgenden Schritte an der Batterie durchführen.

1. Drücken Sie die LED-Taste kurz. > Das Anzeigefeld leuchtet auf.
2. Drücken Sie die LED-Taste für min. 10 Sekunden. > Der Protokollauswahlmodus wird aufgerufen.
3. Drücken Sie die LED-Taste 3 Mal, um das KOSTAL Protokoll (LED 3 leuchtet) auszuwählen. Zwischen den Tasten drücken warten Sie min. 1 Sekunden, da das Weiterschalten eine Verzögerung hat. > Wenn die dritte LED leuchtet, ist das Protokoll für PLENTICORE-Wechselrichter ausgewählt.
4. Drücken Sie die LED-Taste für min. 2 Sekunden, bis die LED von Orange blinkend auf Blau dauerleuchten umschaltet.
5. Starten Sie das Batteriesystem neu. > Das Protokoll ist nun eingestellt.

In order for the communication between the battery system and the inverter to work, the correct protocol must be selected in the battery. To do this, carry out the following steps on the battery.

1. Press the LED button short. > The display field lights up.
2. Press the LED key for min. 10 seconds. > The protocol selection mode is called up.
3. Press the LED key 3 times to select the KOSTAL protocol (LED 3 lights up). Wait at least 1 second between the button presses, as there is a delay in advancing. > When the third LED lights up, the protocol for PLENTICORE inverters is selected.
4. Press the LED key for at least 2 seconds until the LED changes from flashing orange to permanently lit blue.
5. Restart the battery system. > The protocol is now set.

## BMZ Hyperion - Anschluss / Connection

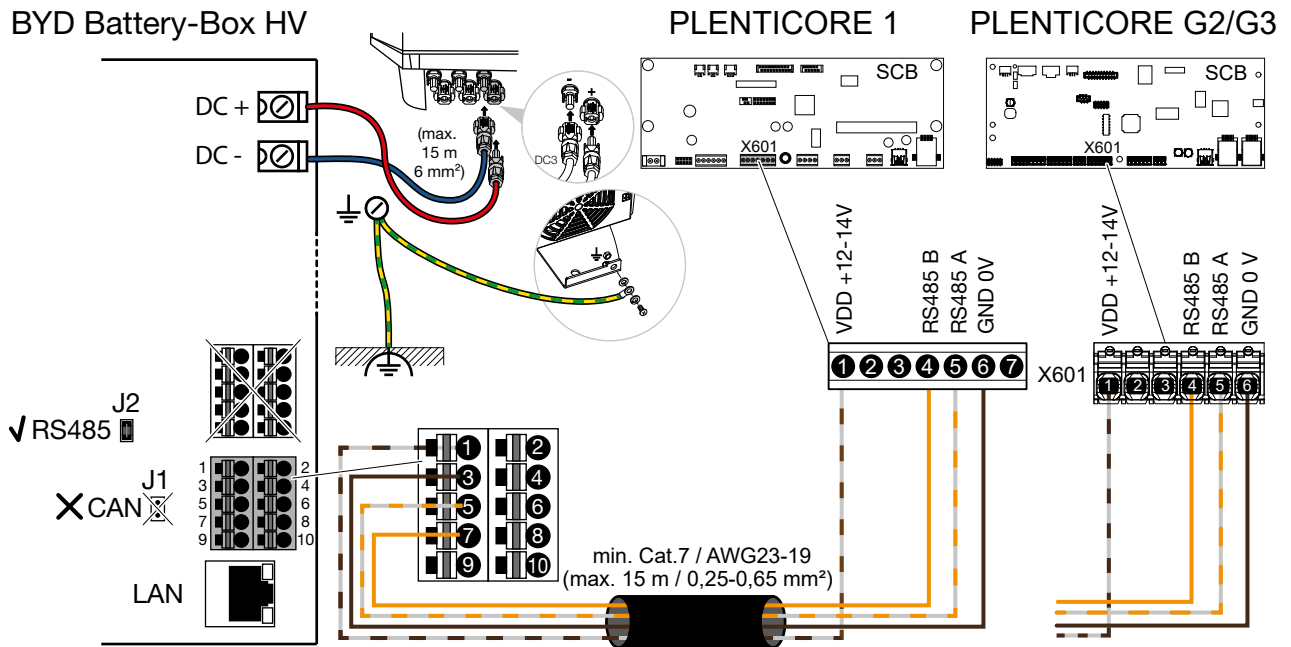


| Batterie / Battery | Wechselrichter / Inverter | Anschluss / Connection | Kabel / Cable   |
|--------------------|---------------------------|------------------------|---|
| 6                  | 1                         | +12 V                  | min. Cat.7<br>Twisted pair<br>max. Ø 7,5 mm<br>max. 5 m |
| 4                  | 4                         | RS485 B                |   |
| 3                  | 5                         | RS485 A                |   |
| 5                  | 6                         | GND                    |   |
| 5 > 7              | -                         | RS485 Jumper           |   |



**DC-Kabel max. 5 m (Batterie > Wechselrichter)**  
**DC-cable max. 5 m (Battery > inverter)**

## BYD Battery-Box HV - Anschluss / Connection



| Batterie / Battery | Wechselrichter / Inverter | Anschluss / Connection | Kabel / Cable  |
|--------------------|---------------------------|------------------------|--|
| 1                  | 1                         | +12 V                  | min. Cat.7<br>Twisted pair<br>max. Ø 7,5 mm<br>max. 15 m |
| 7                  | 4                         | RS485 B                |  |
| 5                  | 5                         | RS485 A                |  |
| 3                  | 6                         | GND                    |  |



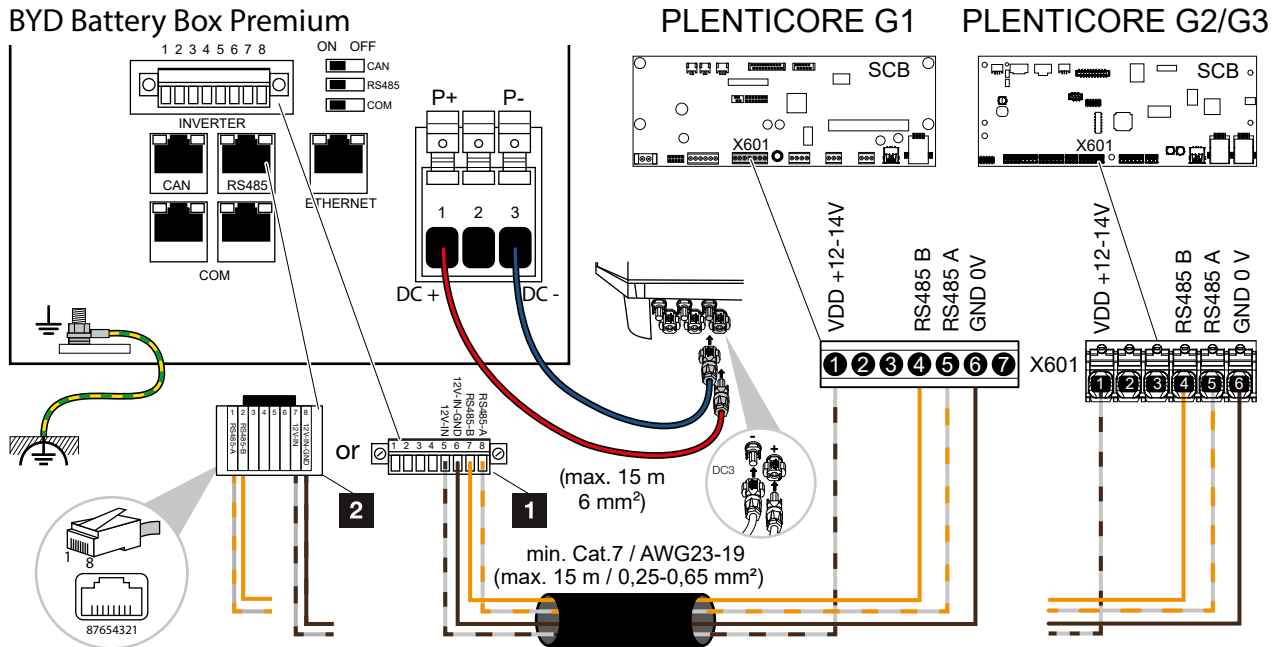
**Wichtiger Hinweis:** Bei nicht ordnungsgemäßer Erdung der Batterie und Wechselrichter, kann es am Gehäuse der Batterie zu unzulässigen Berührungsspannungen des Gehäuses gegen PE kommen. Daher ist es wichtig, Batterie sowie Wechselrichter ordnungsgemäß zu erden.

**Important note:** If the battery and inverter are not properly grounded, the battery housing may have inadmissible touch voltages against PE. It is therefore important to properly ground the battery and inverter.



**DC-Kabel max. 15 m (Batterie > Wechselrichter)**  
**DC-cable max. 15 m (Battery > inverter)**

BYD Battery-Box Premium HVS/HVM - Anschluss / Connection



| Batterie / Battery (1) | Wechselrichter / Inverter | Anschluss / Connection | Kabel / Cable  |
|------------------------|---------------------------|------------------------|--|
| 5                      | 1                         | +12 V                  | min. Cat.7<br>Twisted pair<br>max. Ø 7,5 mm<br>max. 15 m |
| 7                      | 4                         | RS485 B                |  |
| 8                      | 5                         | RS485 A                |  |
| 6                      | 6                         | GND                    |  |

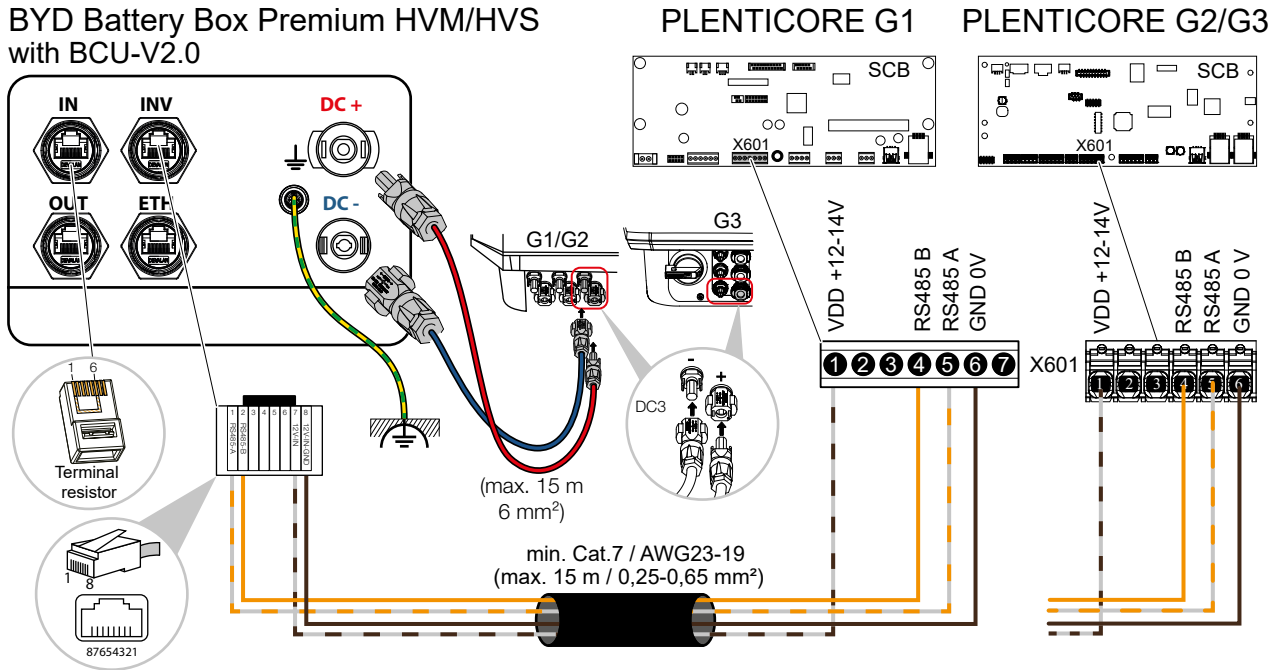
| Batterie / Battery (2) | Wechselrichter / Inverter | Anschluss / Connection | Kabel / Cable  |
|------------------------|---------------------------|------------------------|--|
| 7                      | 1                         | +12 V                  | min. Cat.7<br>Twisted pair<br>max. Ø 7,5 mm<br>max. 15 m |
| 2                      | 4                         | RS485 B                |  |
| 1                      | 5                         | RS485 A                |  |
| 8                      | 6                         | GND                    |  |



DC-Kabel max. 15 m (Batterie > Wechselrichter)  
DC-cable max. 15 m (Battery > inverter)

## BYD Battery-Box Premium HVS/HVM - Anschluss / Connection mit/with BCU-V2.0

BYD Battery Box Premium HVM/HVS with BCU-V2.0



| Batterie / Battery | Wechselrichter / Inverter | Anschluss / Connection | Kabel / Cable  |
|--------------------|---------------------------|------------------------|--|
| 7                  | 1                         | +12 V                  | min. Cat.7<br>Twisted pair<br>max. Ø 7,5 mm<br>max. 15 m |
| 2                  | 4                         | RS485 B                |  |
| 1                  | 5                         | RS485 A                |  |
| 8                  | 6                         | GND                    |  |



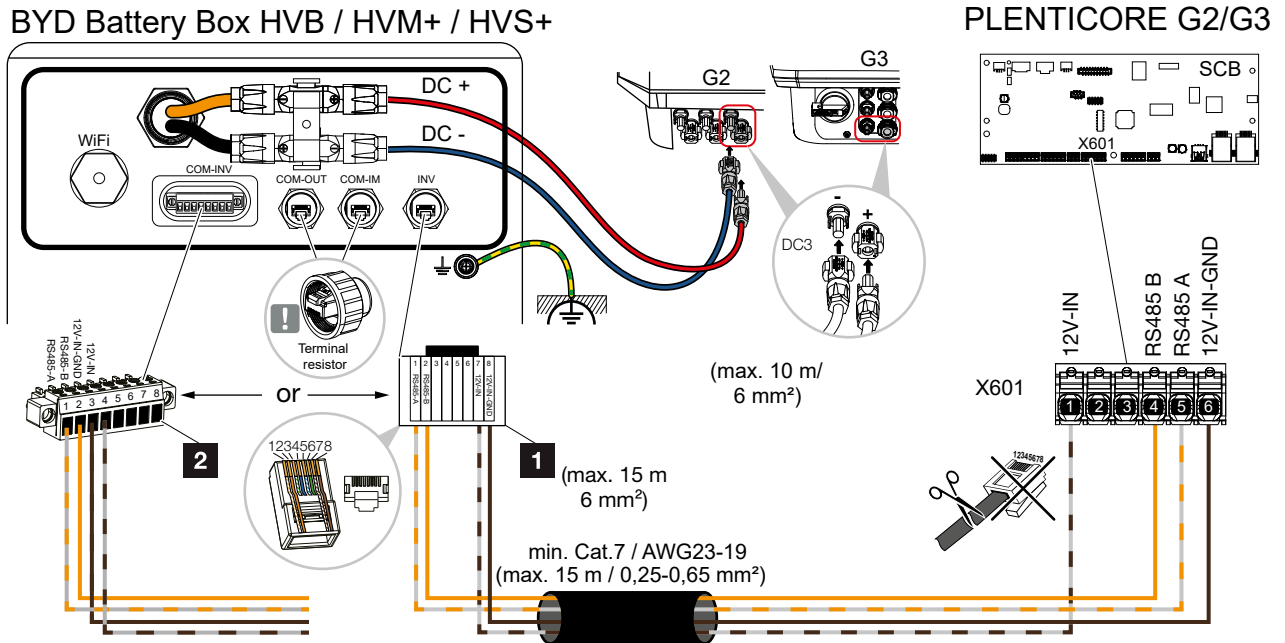
**DC-Kabel max. 15 m (Batterie > Wechselrichter)**  
**DC-cable max. 15 m (Battery > inverter)**



**Endwiderstand: Der mitgelieferte Endwiderstand muss am Anschluss COM-IN gesteckt werden. Bei mehreren Systemen, wird dieser am letztem Turm gesteckt. Beachten Sie die Anleitung vom Batteriehersteller.**

**Terminating resistor: The supplied terminating resistor must be plugged into the COM-IN connection. If there are multiple systems, it is plugged into the last tower.**

## BYD Battery-Box HVB / HVS+ / HVM+ - Anschluss / Connection



Standard Verbindung über RJ45 INV Eingang / Standard connection via RJ45 INV Input

| Batterie / Battery (1) | Wechselrichter / Inverter | Anschluss / Connection | Kabel / Cable  |
|------------------------|---------------------------|------------------------|--|
| 7                      | 1                         | +12 V                  | min. Cat.7<br>Twisted pair<br>max. Ø 7,5 mm<br>max. 15 m |
| 2                      | 4                         | RS485 B                |  |
| 1                      | 5                         | RS485 A                |  |
| 8                      | 6                         | GND                    |  |

Optionale Verbindung über Steckerleiste COM-INV Eingang / Optional connection via connector strip COM-INV input

| Batterie / Battery (2) | Wechselrichter / Inverter | Anschluss / Connection | Kabel / Cable  |
|------------------------|---------------------------|------------------------|--|
| 4                      | 1                         | +12 V                  | min. Cat.7<br>Twisted pair<br>max. Ø 7,5 mm<br>max. 15 m |
| 2                      | 4                         | RS485 B                |  |
| 1                      | 5                         | RS485 A                |  |
| 3                      | 6                         | GND                    |  |



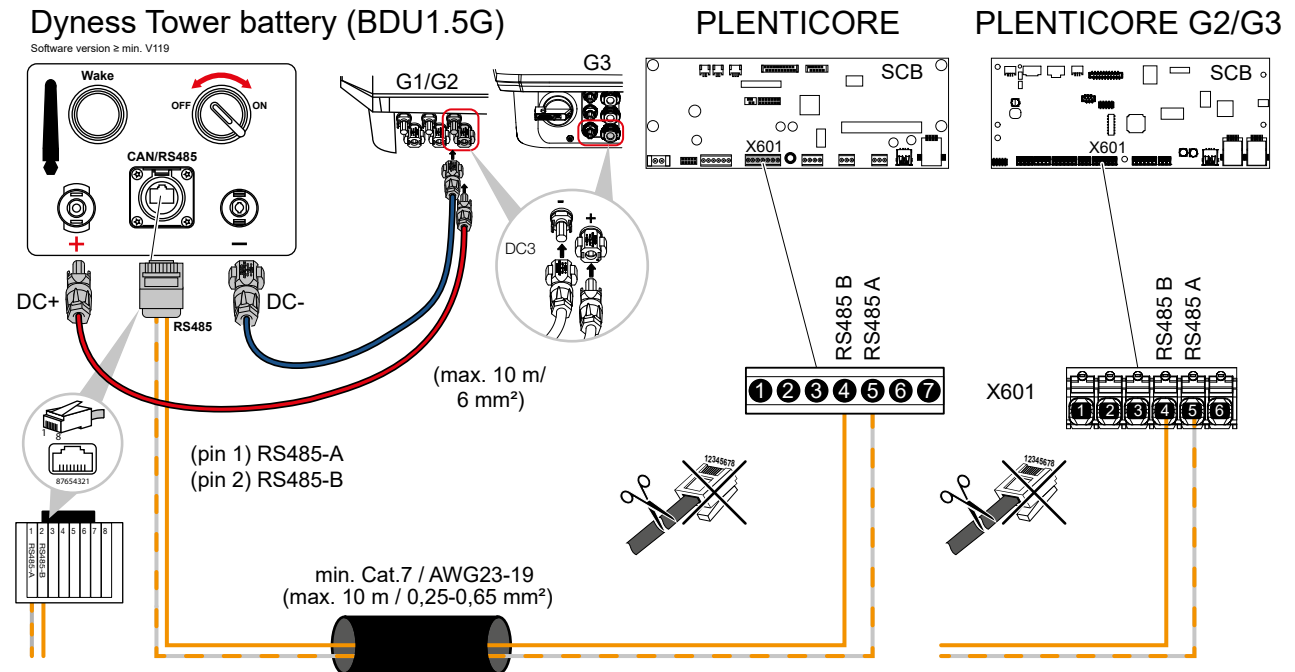
**DC-Kabel max. 15 m (Batterie > Wechselrichter)**  
**DC-cable max. 15 m (Battery > inverter)**



**Endwiderstand: Der mitgelieferte Endwiderstand muss bei einer Parallelschaltung von mehreren Türmen in den ersten und letzten Turm gesteckt werden (COM-IN / COM-OUT). Beachten Sie die Anleitung vom Batteriehersteller dazu.**

**Terminating resistor: The supplied terminating resistor must be inserted into the first and last towers (COM-IN / COM-OUT) when several towers are connected in parallel. Please observe the battery manufacturer's instructions in this regard.**

## Dyness Tower - Anschluss / Connection



| Batterie / Battery       | Wechselrichter / Inverter | Anschluss / Connection | Kabel / Cable  |
|--------------------------|---------------------------|------------------------|--|
| RS485-B<br>(RJ45 plug 2) | 4                         | RS485 B                | min. Cat.7<br>Twisted pair<br>max. Ø 7,5 mm<br>max. 10 m |
| RS485-A<br>(RJ45 plug 1) | 5                         | RS485 A                |  |



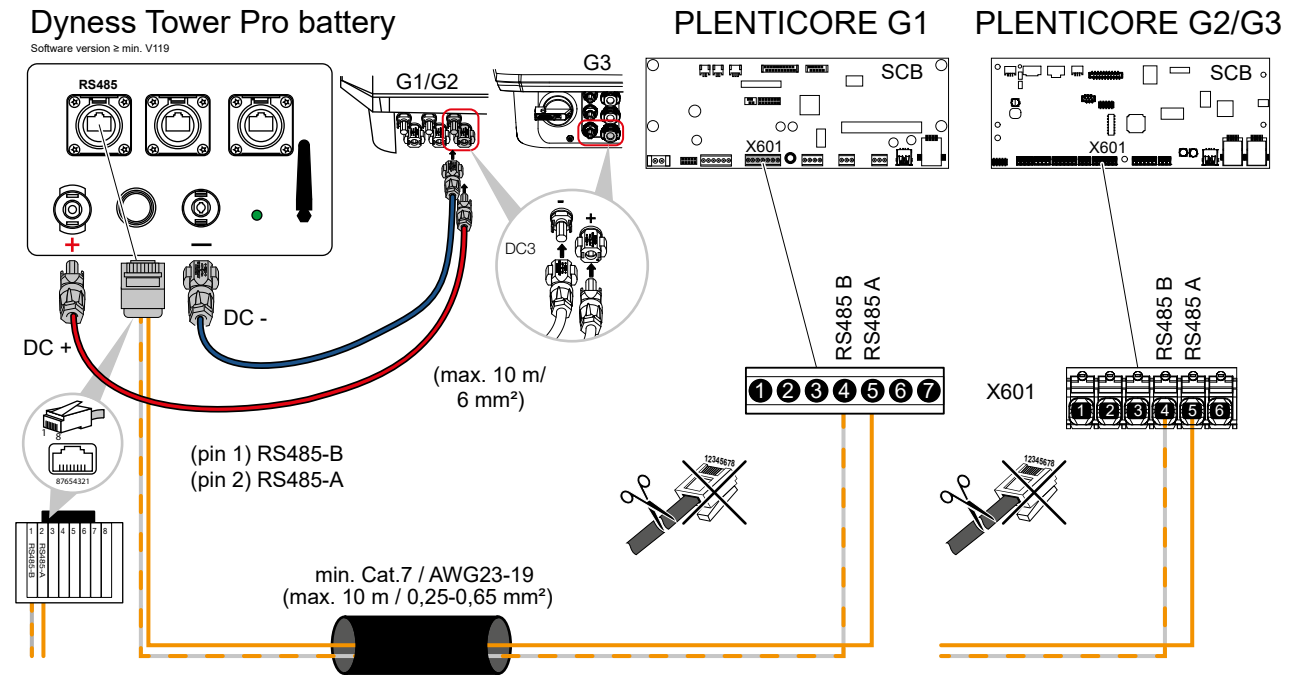
**DC-Kabel max. 10 m (Batterie > Wechselrichter)**  
**DC-cable max. 10 m (Battery > inverter)**



**Nur die Batterie Dyness Tower mit dem Batteriecontroller BDU1.5G ist freigegeben (Anschlussfeld wie oben). Zusätzlich muss auf der Batterie mindestens die Softwareversion V119 installiert sein.**

**Only the Dyness Tower battery with the BDU1.5G battery controller is approved (connection panel as above). In addition, the software version V119 must be installed on the battery.**

## Dyness Tower Pro - Anschluss / Connection



| Batterie / Battery       | Wechselrichter / Inverter | Anschluss / Connection | Kabel / Cable  |
|--------------------------|---------------------------|------------------------|--|
| RS485-B<br>(RJ45 plug 1) | 4                         | RS485 B                | min. Cat.7<br>Twisted pair<br>max. Ø 7,5 mm<br>max. 10 m |
| RS485-A<br>(RJ45 plug 2) | 5                         | RS485 A                |  |



**DC-Kabel max. 10 m (Batterie > Wechselrichter)**  
**DC-cable max. 10 m (Battery > inverter)**

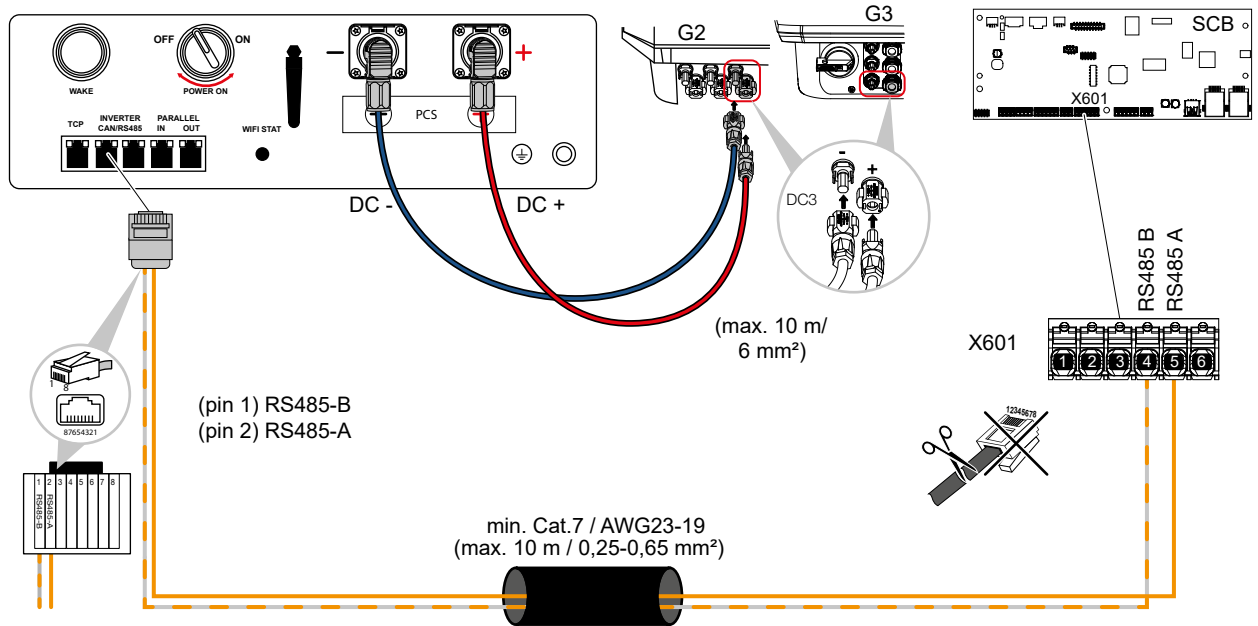


**Auf der Batterie muss mindestens die Softwareversion V119 installiert sein. Es ist am besten, die Batteriesystemsoftware zu aktualisieren und auf automatische Updates umzustellen.**  
**The software version V119 must be installed on the battery as a minimum. It is best to update the battery system software and switch to automatic updates.**

## Dyness Stack100 - Anschluss / Connection

### Dyness Stack100 battery

### PLENTICORE G2/G3



| Batterie / Battery       | Wechselrichter / Inverter | Anschluss / Connection | Kabel / Cable  |
|--------------------------|---------------------------|------------------------|--|
| RS485-B<br>(RJ45 plug 1) | 4                         | RS485 B                | min. Cat.7<br>Twisted pair<br>max. Ø 7,5 mm<br>max. 10 m |
| RS485-A<br>(RJ45 plug 2) | 5                         | RS485 A                |  |



**DC-Kabel max. 10 m (Batterie > Wechselrichter)**  
**DC-cable max. 10 m (Battery > inverter)**

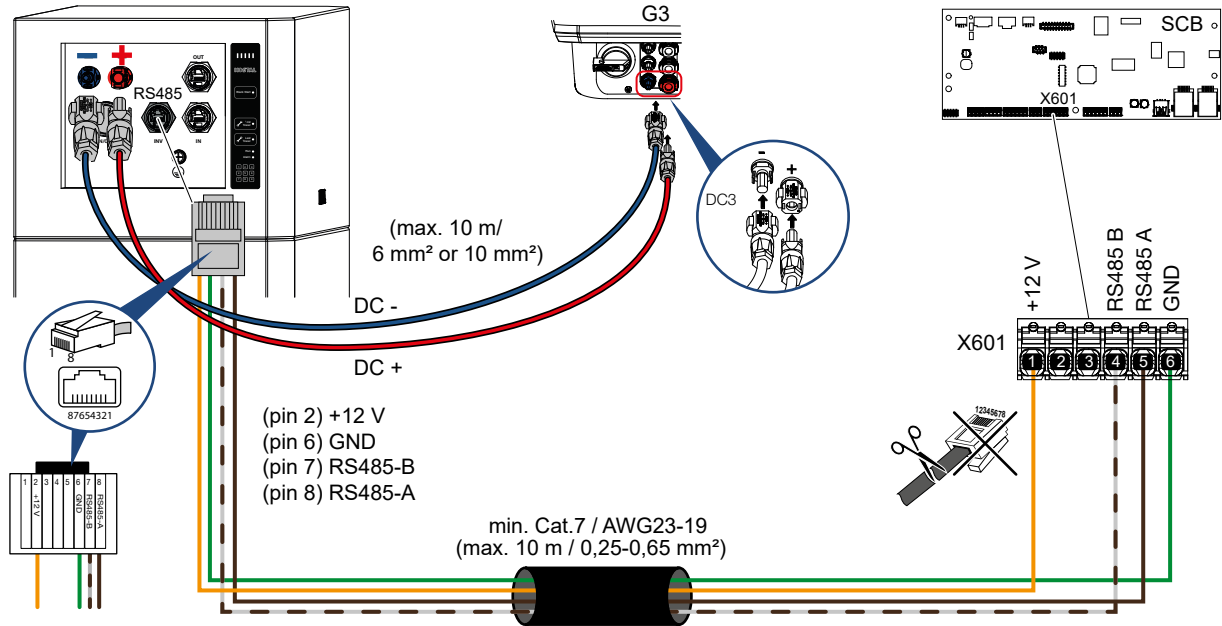


**Auf der Batterie muss mindestens die Softwareversion V120 installiert sein. Es ist am besten, die Batteriesystemsoftware zu aktualisieren und auf automatische Updates umzustellen.**  
**The software version V120 must be installed on the battery as a minimum. It is best to update the battery system software and switch to automatic updates.**

## KOSTAL HELIVOR HV - Anschluss / Connection

KOSTAL HELIVOR HV

PLENTICORE G3

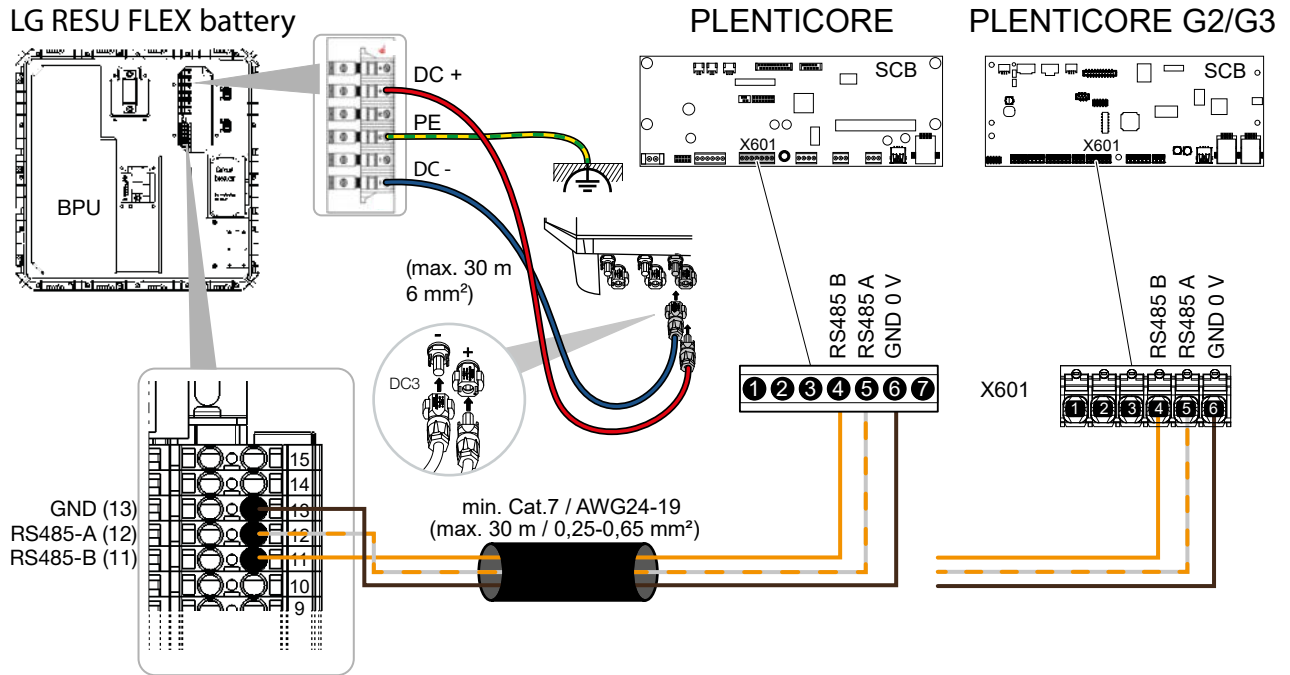


| Batterie / Battery | Wechselrichter / Inverter | Anschluss / Connection | Kabel / Cable  |
|--------------------|---------------------------|------------------------|--|
| 2                  | 1                         | +12 V                  | min. Cat.7<br>Twisted pair<br>max. Ø 7,5 mm<br>max. 10 m |
| 6                  | 6                         | GND                    |  |
| 7                  | 4                         | RS485 B                |  |
| 8                  | 5                         | RS485 A                |  |



**DC-Kabel max. 10 m (Batterie > Wechselrichter)**  
**DC-cable max. 10 m (Battery > inverter)**

## LG RESU FLEX - Anschluss / Connection

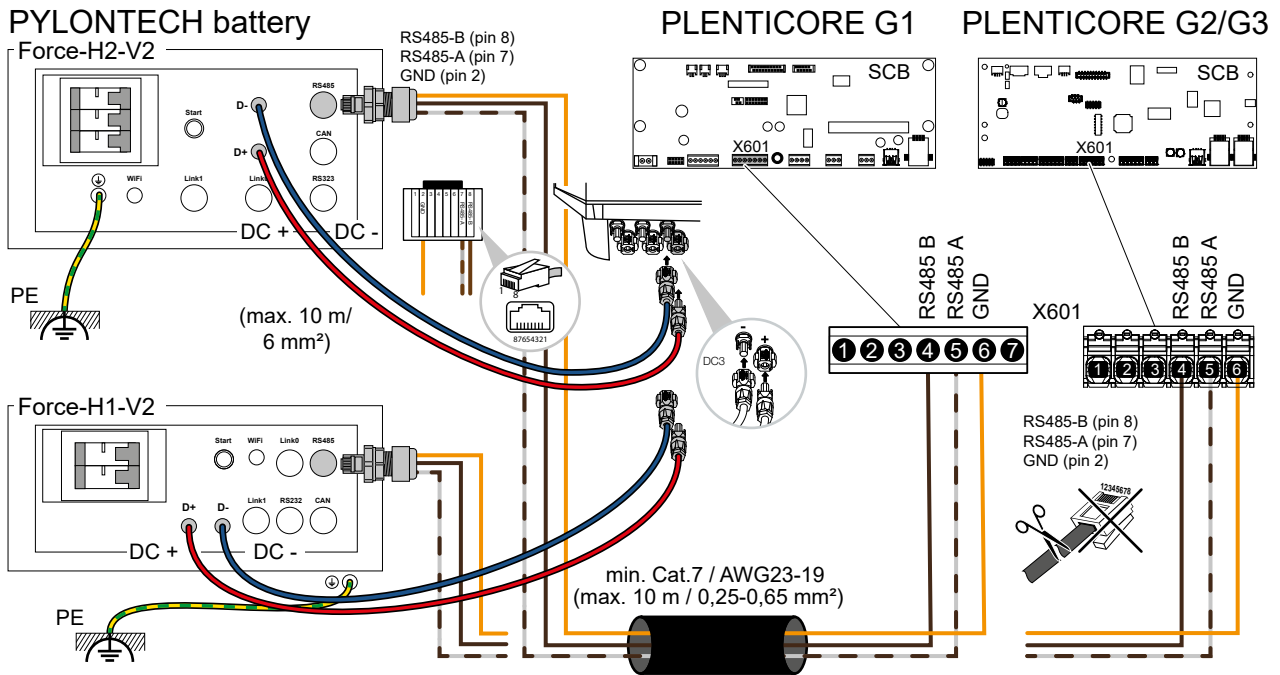


| Batterie / Battery | Wechselrichter / Inverter | Anschluss / Connection | Kabel / Cable  |
|--------------------|---------------------------|------------------------|--|
| RS485-B (11)       | 4                         | RS485 B                | min. Cat.7<br>Twisted pair<br>max. Ø 7,5 mm<br>max. 30 m |
| RS485-A (12)       | 5                         | RS485 A                |  |
| GND (13)           | 6                         | GND                    |  |



**DC-Kabel max. 30 m (Batterie > Wechselrichter)**  
**DC-cable max. 30 m (Battery > inverter)**

**PYLONTECH Force - Anschluss / Connection**



| Batterie / Battery    | Wechselrichter / Inverter | Anschluss / Connection | Kabel / Cable   |
|-----------------------|---------------------------|------------------------|---|
| RS485-B (RJ45 plug 8) | 4                         | RS485 B                | min. Cat.7 Twisted pair<br>max. Ø 7,5 mm<br>max. 10 m |
| RS485-A (RJ45 plug 7) | 5                         | RS485 A                |   |
| RS485-B (RJ45 plug 2) | 6                         | GND                    |   |



**DC-Kabel max. 10 m (Batterie > Wechselrichter)**  
**DC-cable max. 10 m (Battery > inverter)**

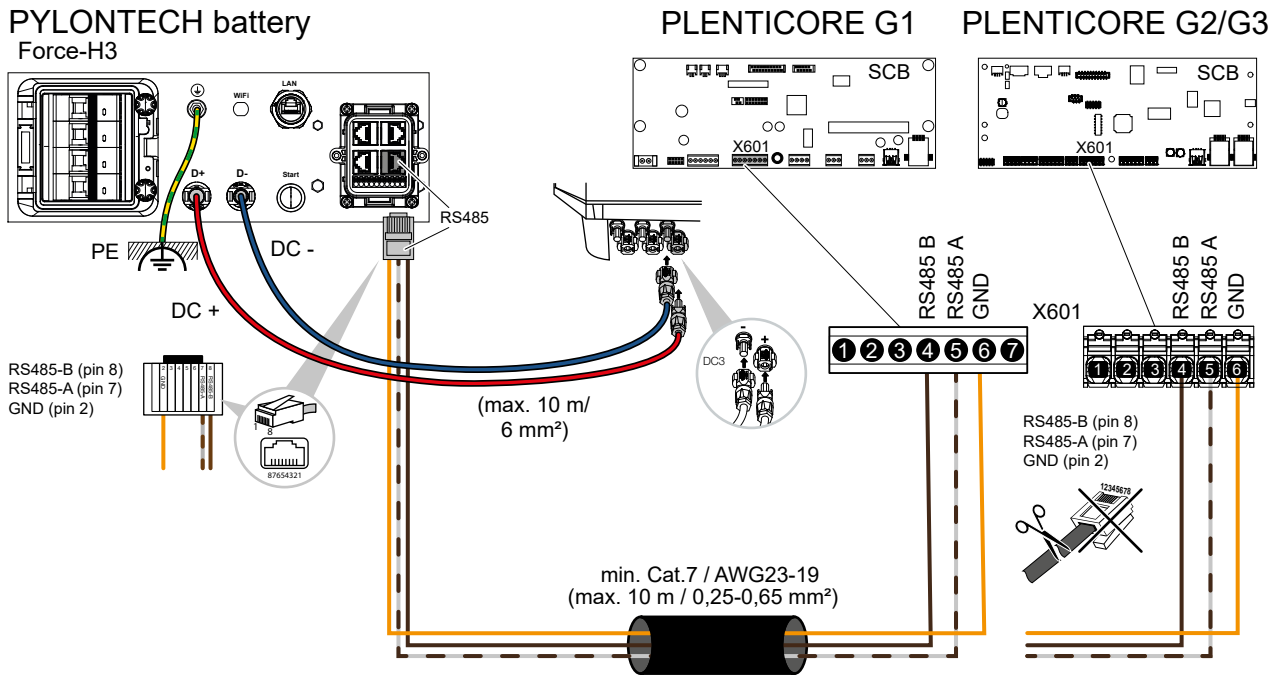
Damit die Kommunikation zwischen dem Batteriesystem und dem Wechselrichter funktioniert, muss das richtige Protokoll in der Batterie ausgewählt werden. Dazu die folgenden Schritte an der Batterie durchführen.

1. Drücken Sie die LED-Taste kurz. > Das Anzeigefeld leuchtet auf.
2. Drücken Sie die LED-Taste für min. 10 Sekunden. > Der Protokollauswahlmodus wird aufgerufen.
3. Drücken Sie die LED-Taste 3 Mal, um das KOSTAL Protokoll (LED 3 leuchtet) auszuwählen. Zwischen den Tasten drücken warten Sie min. 1 Sekunden, da das Weiterschalten eine Verzögerung hat. > Wenn die dritte LED leuchtet, ist das Protokoll für PLENTICORE-Wechselrichter ausgewählt.
4. Drücken Sie die LED-Taste für min. 2 Sekunden, bis die LED von Orange blinkend auf Blau dauerleuchten umschaltet.
5. Starten Sie das Batteriesystem neu. > Das Protokoll ist nun eingestellt.

In order for the communication between the battery system and the inverter to work, the correct protocol must be selected in the battery. To do this, carry out the following steps on the battery.

1. Press the LED button short. > The display field lights up.
2. Press the LED key for min. 10 seconds. > The protocol selection mode is called up.
3. Press the LED key 3 times to select the KOSTAL protocol (LED 3 lights up). Wait at least 1 second between the button presses, as there is a delay in advancing. > When the third LED lights up, the protocol for PLENTICORE inverters is selected.
4. Press the LED key for at least 2 seconds until the LED changes from flashing orange to permanently lit blue.
5. Restart the battery system. > The protocol is now set.

**PYLONTECH Force H3 - Anschluss / Connection**



| Batterie / Battery    | Wechselrichter / Inverter | Anschluss / Connection | Kabel / Cable   |
|-----------------------|---------------------------|------------------------|---|
| RS485-B (RJ45 plug 8) | 4                         | RS485 B                | min. Cat.7 Twisted pair<br>max. Ø 7,5 mm<br>max. 10 m |
| RS485-A (RJ45 plug 7) | 5                         | RS485 A                |   |
| RS485-B (RJ45 plug 2) | 6                         | GND                    |   |



**DC-Kabel max. 10 m (Batterie > Wechselrichter)**  
**DC-cable max. 10 m (Battery > inverter)**

Damit die Kommunikation zwischen dem Batteriesystem und dem Wechselrichter funktioniert, muss das richtige Protokoll in der Batterie ausgewählt werden. Dazu die folgenden Schritte an der Batterie durchführen.

1. Drücken Sie die LED-Taste kurz. > Das Anzeigefeld leuchtet auf.
2. Drücken Sie die LED-Taste für min. 10 Sekunden. > Der Protokollauswahlmodus wird aufgerufen.
3. Drücken Sie die LED-Taste 3 Mal, um das KOSTAL Protokoll (LED 3 leuchtet) auszuwählen. Zwischen den Tasten drücken warten Sie min. 1 Sekunden, da das Weiterschalten eine Verzögerung hat. > Wenn die dritte LED leuchtet, ist das Protokoll für PLENTICORE-Wechselrichter ausgewählt.
4. Drücken Sie die LED-Taste für min. 2 Sekunden, bis die LED von Orange blinkend auf Blau dauerleuchten umschaltet.
5. Starten Sie das Batteriesystem neu. > Das Protokoll ist nun eingestellt.

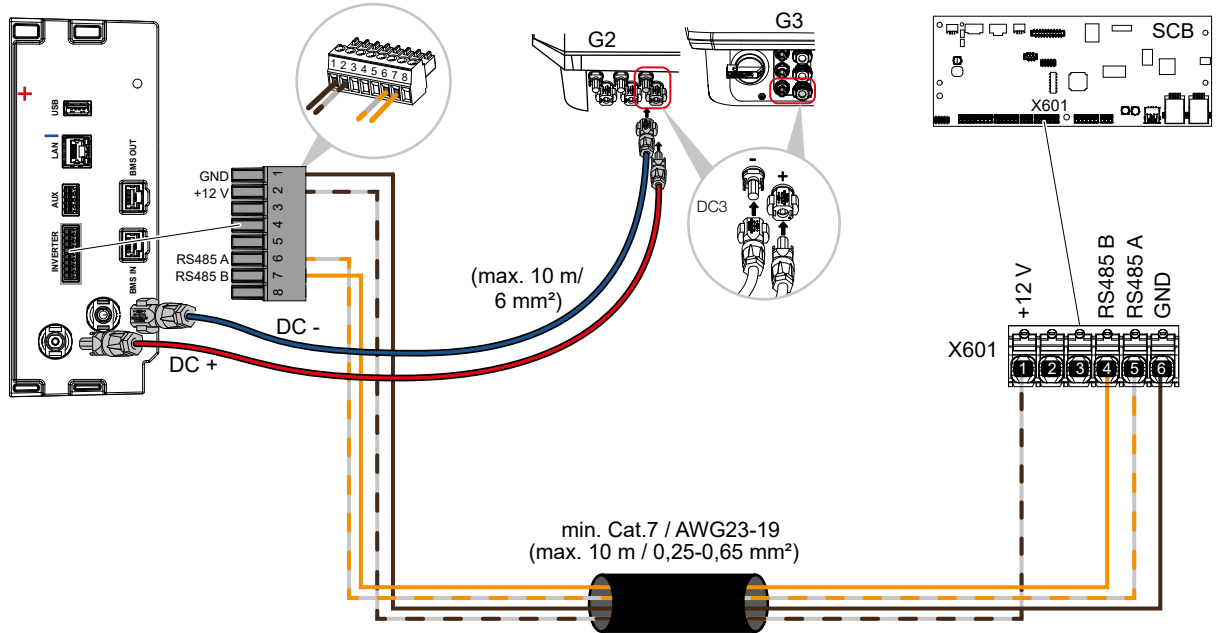
In order for the communication between the battery system and the inverter to work, the correct protocol must be selected in the battery. To do this, carry out the following steps on the battery.

1. Press the LED button short. > The display field lights up.
2. Press the LED key for min. 10 seconds. > The protocol selection mode is called up.
3. Press the LED key 3 times to select the KOSTAL protocol (LED 3 lights up). Wait at least 1 second between the button presses, as there is a delay in advancing. > When the third LED lights up, the protocol for PLENTICORE inverters is selected.
4. Press the LED key for at least 2 seconds until the LED changes from flashing orange to permanently lit blue.
5. Restart the battery system. > The protocol is now set.

VARTA.wall - Anschluss / Connection

VARTA.wall battery

PLENTICORE G2/G3

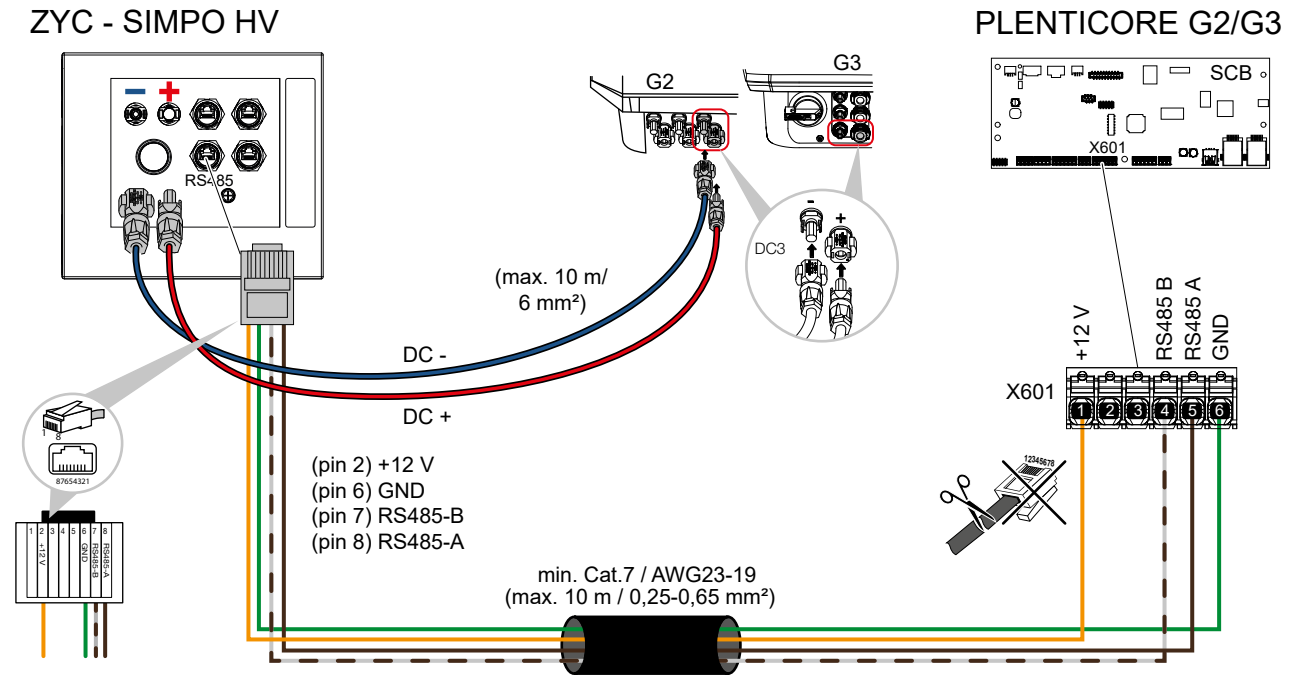


| Batterie / Battery | Wechselrichter / Inverter | Anschluss / Connection | Kabel / Cable  |
|--------------------|---------------------------|------------------------|--|
| 1                  | 6                         | GND                    | min. Cat.7<br>Twisted pair<br>max. Ø 7,5 mm<br>max. 10 m |
| 2                  | 1                         | +12 V                  |  |
| 6                  | 5                         | RS485 A                |  |
| 7                  | 4                         | RS485 B                |  |



**DC-Kabel max. 10 m (Batterie > Wechselrichter)**  
**DC-cable max. 10 m (Battery > inverter)**

## ZYC SIMPO HV - Anschluss / Connection



| Batterie / Battery | Wechselrichter / Inverter | Anschluss / Connection | Kabel / Cable  |
|--------------------|---------------------------|------------------------|--|
| 2                  | 1                         | +12 V                  | min. Cat.7<br>Twisted pair<br>max. Ø 7,5 mm<br>max. 10 m |
| 6                  | 6                         | GND                    |  |
| 7                  | 4                         | RS485 B                |  |
| 8                  | 5                         | RS485 A                |  |



**DC-Kabel max. 10 m (Batterie > Wechselrichter)**  
**DC-cable max. 10 m (Battery > inverter)**